

Interlock Roofing® Tile Specification Manual



Lightweight Aluminum Roofing
Interlock Roofing Ltd.



INTERLOCK
Lifetime Roofing Systems

Permanent

Interlock Tile profile is the last roof you will ever install on your home or development. Some aluminum roofs have been in place for over 100 years.

Lightweight

Interlock Tile is very lightweight, having a dry or wet weight of 70 lbs. per 100 sq. ft. This is about 96% lighter than concrete or clay tile. Huge savings are realized in structural costs for new homes and developments, as truss systems can be designed for less stress and weight loads.

Maintenance

The inorganic nature of Interlock Tile means that leaves and other debris will not cling to the surface of the roof.

Design Flexibility

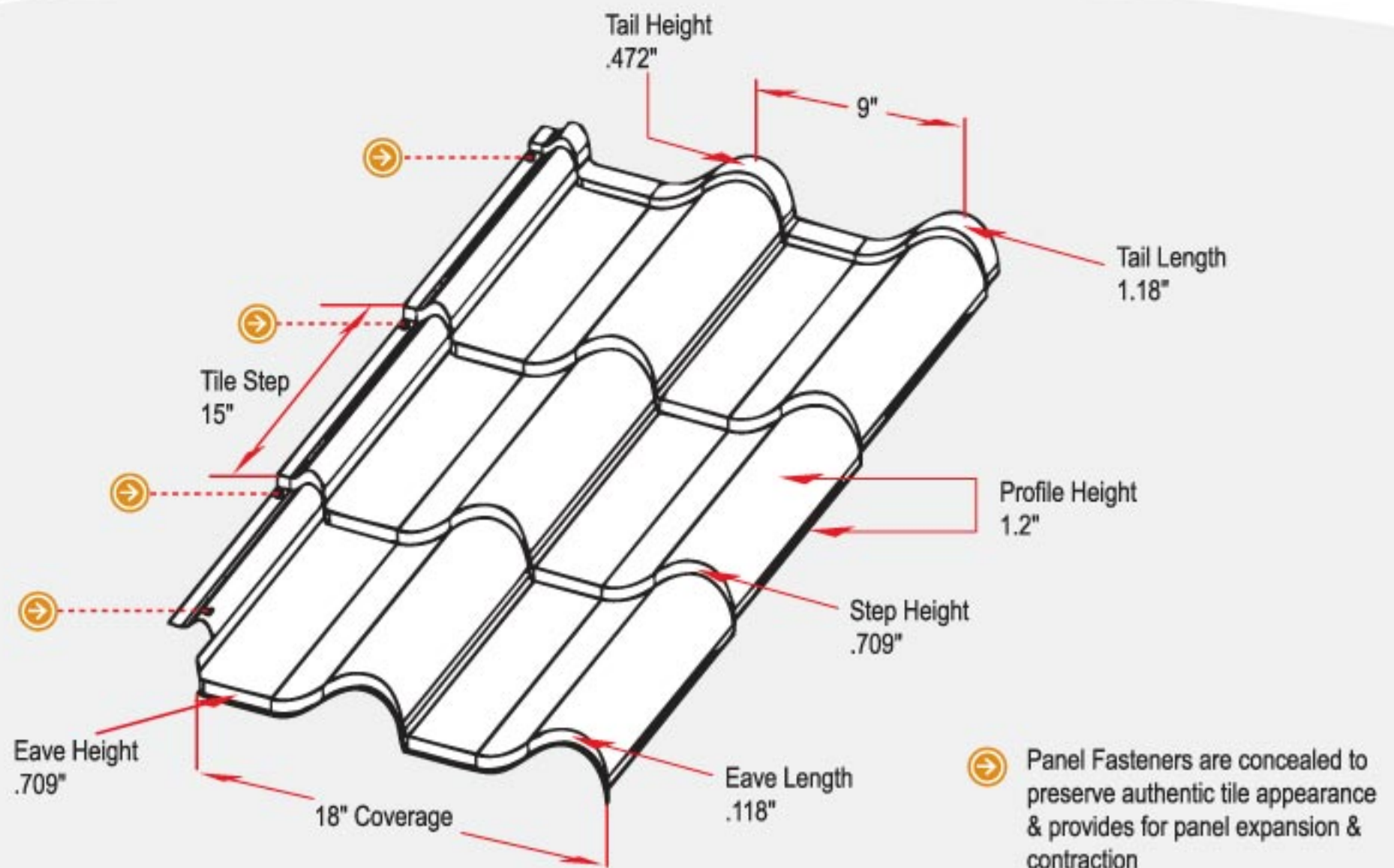
The look of tile is provided without the heavy cost of structural modifications. Interlock Tile can be adapted to virtually any roof line and over most existing roofs.

Energy Efficient

Energy Star® Rated.

Interlock Tile is an aluminum tile hidden fastener roofing system. Each tile is specially formulated to match the appearance of conventional tile roofing. The tile panels are coated with Alunar® embedded with Dupont™ Teflon® Surface Protector, for ultimate durability and protection. All trims are color matched to the specific Interlock color.

Interlock Tile provides outstanding advantages when compared to other roofing materials.



Pitch

Minimum roof pitch of 3:12.

Underlayment

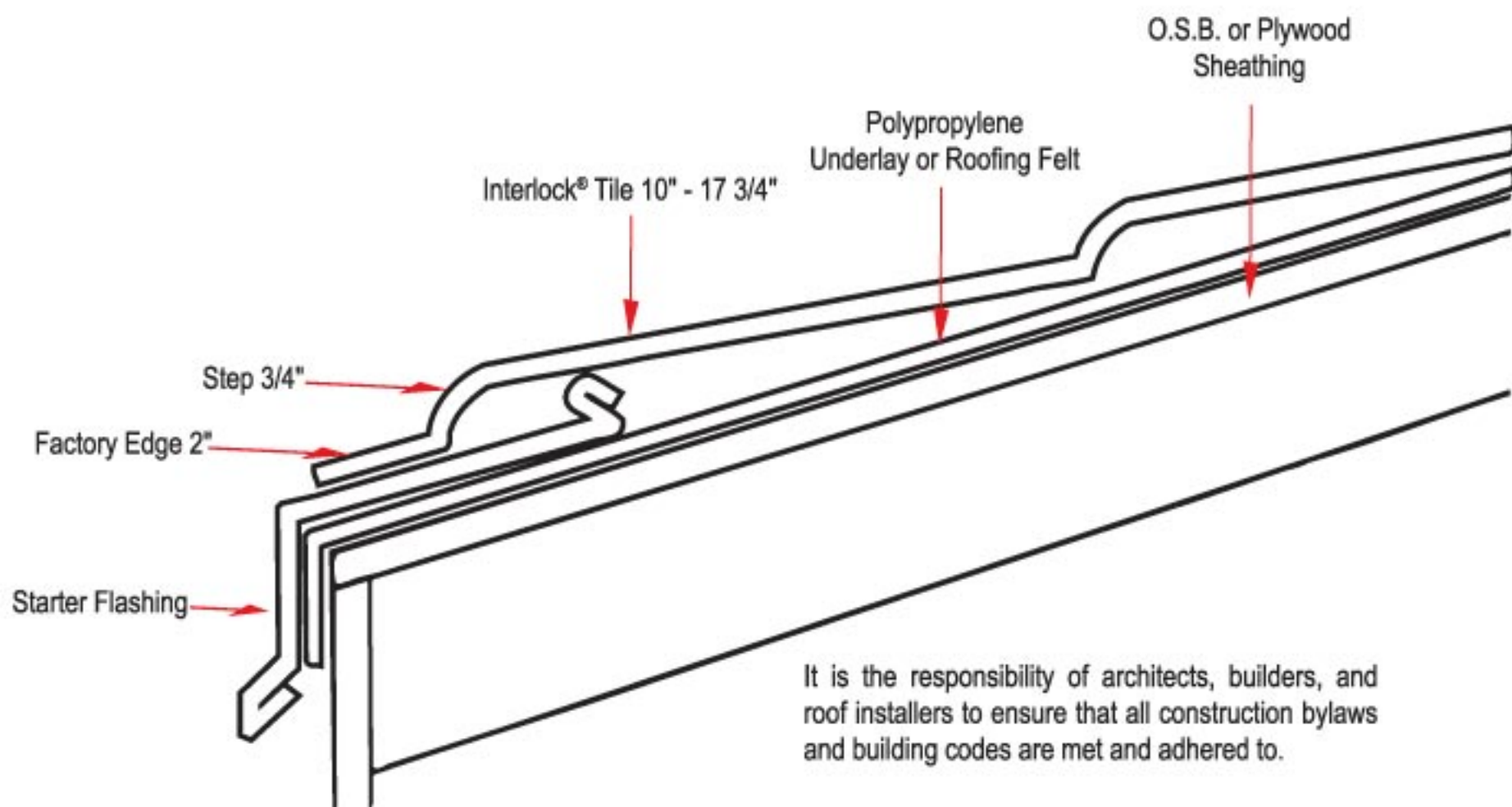
The entire roof area is to be covered (prior to tile application) with polypropylene underlay or 15 or 30 lb. roofing felt.

Sheathing

Sheathing for the roof should not be less than 1/2" on 24" c/c - 3/8" on 16" c/c. oriented strand board (O.S.B) or plywood. Optional: over existing roofing with strapping min. 1" x 4" spaced 15" on center.

Trusses

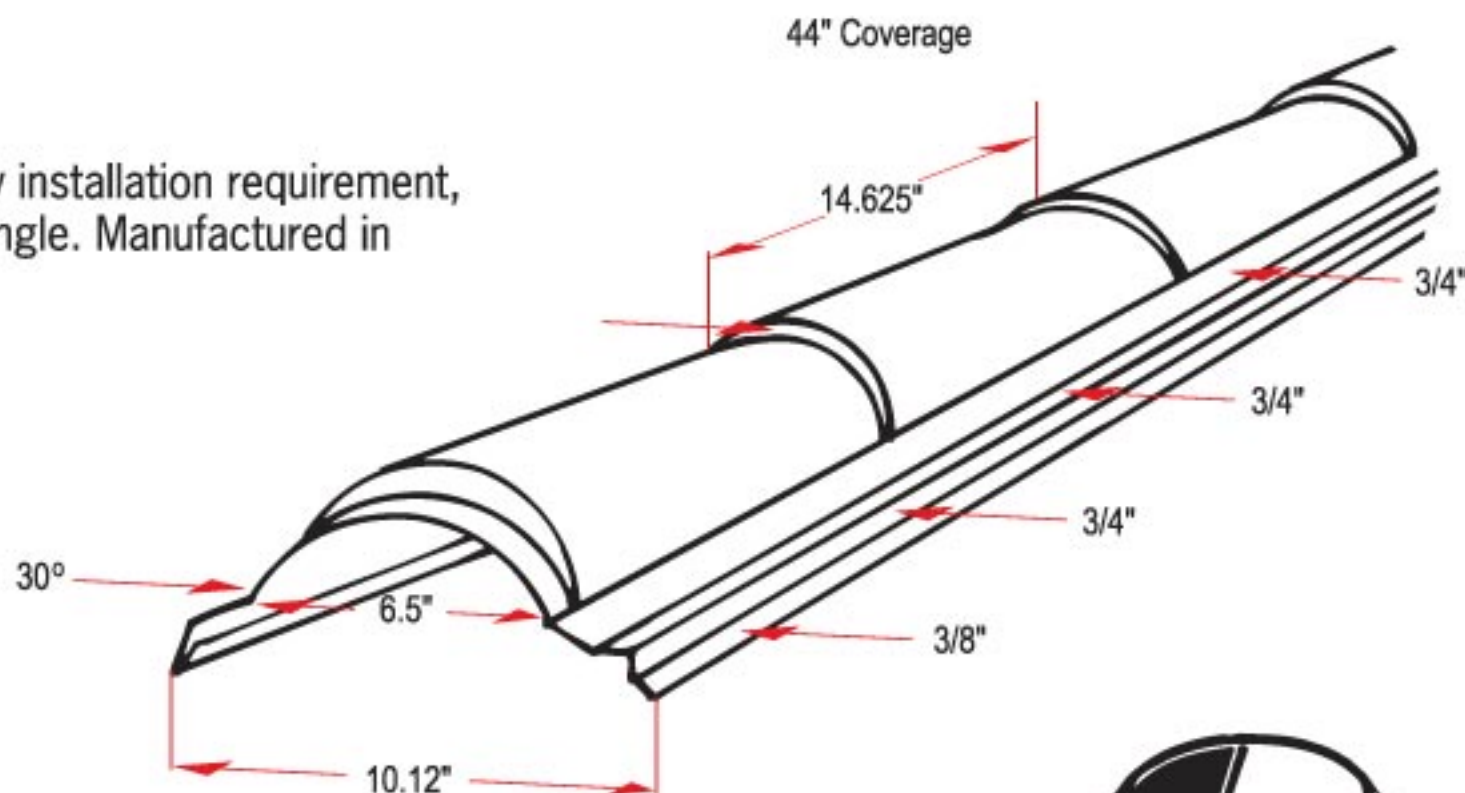
For new developments, enormous cost savings can be realized as Interlock Tile weighs less than 4% the weight of concrete clay and tile, and much less than other roofing systems.



All tile components are secured with non-corrosive stainless steel or aluminum fasteners. All component trims are coated with Alunar®, embedded with Dupont™ Teflon® Surface Protector, and are based on standard 10 foot lengths except ridge, hip, and gable capping. Screw fasteners are color matched to roof trims and components.

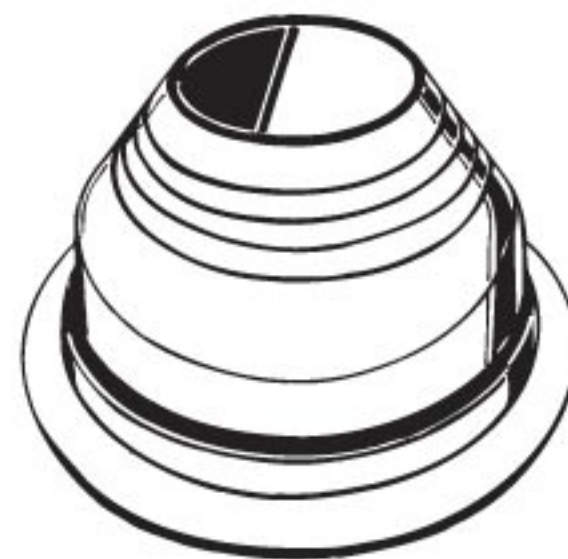
Tile Ridge Cap

Designed to complement any installation requirement, fitting any ridge or hip roof angle. Manufactured in standard 48" lengths.



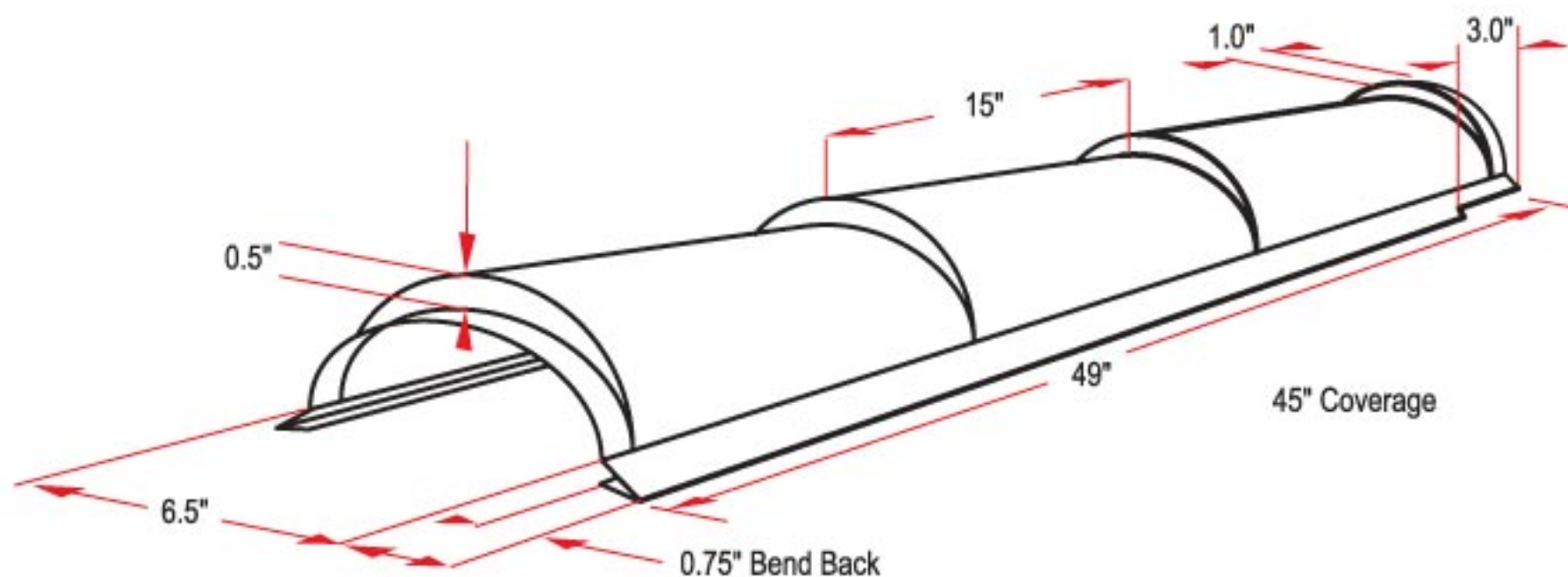
Plumbing Vent

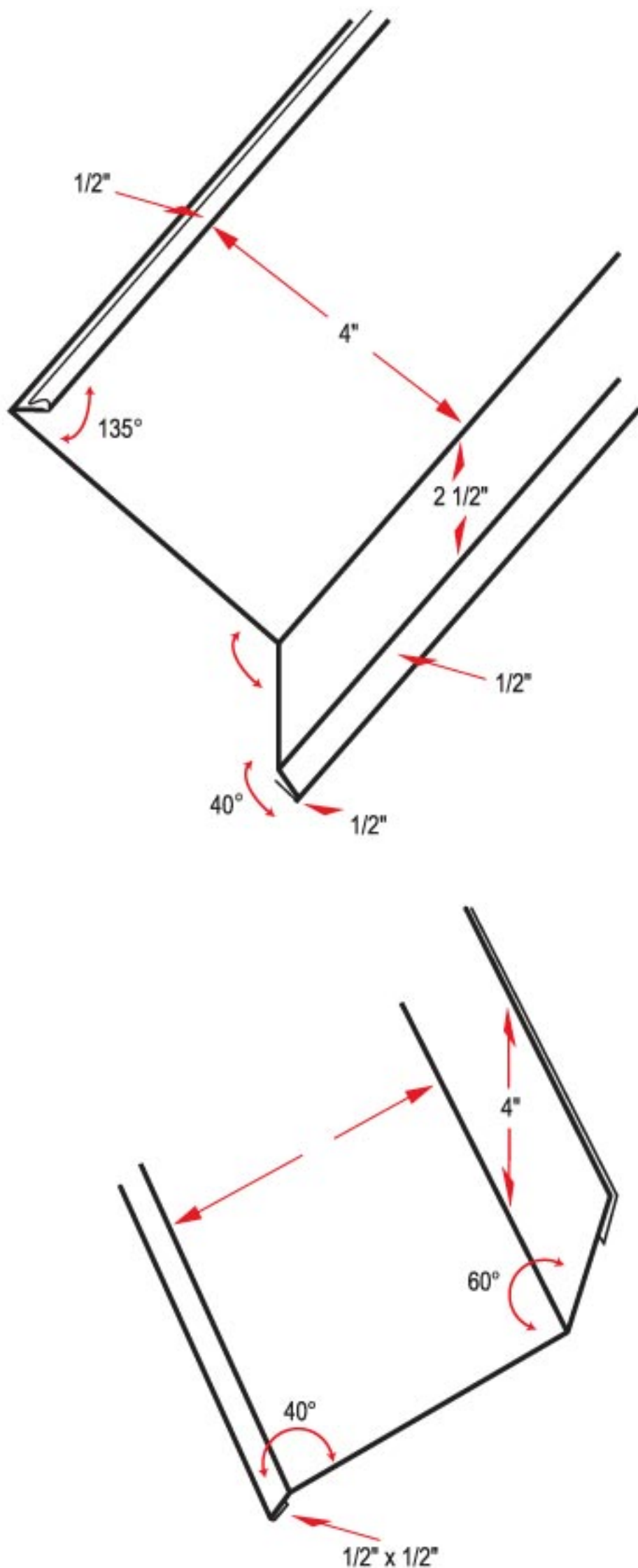
A special flashing for plumbing stack pipes, designed to replace antiquated installation method of cutting and lapping sheets at stack pipes.



Tile Gable Cap

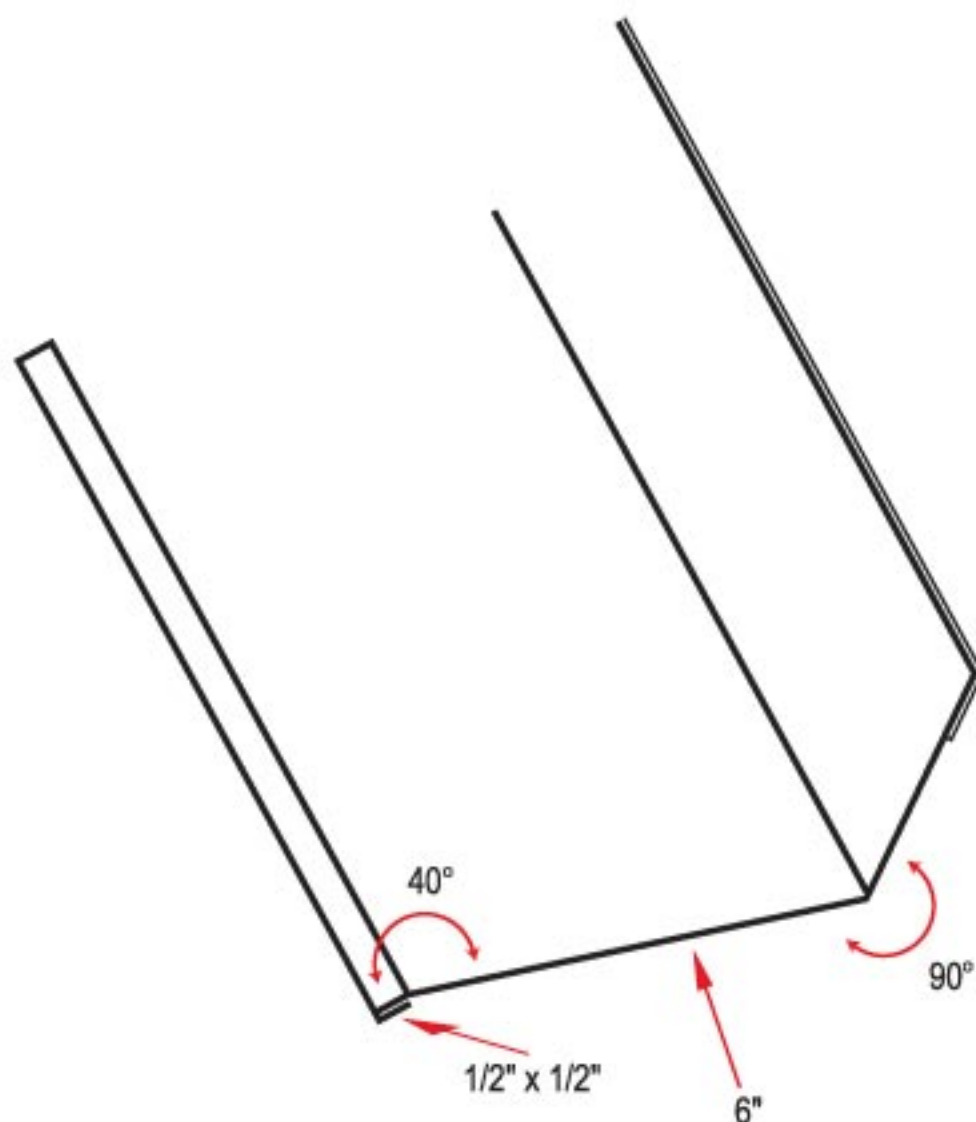
A specially designed component that lends beauty and structural superiority to the roofing system, while providing outstanding protection for gable ends. Manufactured in standard 48" lengths.





Starter Flashing

Carefully manufactured component gives a greater degree of strength to the starter strip or gable end. The protruding edge is an effective drip cap which further reduces the possibility of capillary seepage. Manufactured in 10' lengths.



Side Wall Flashing

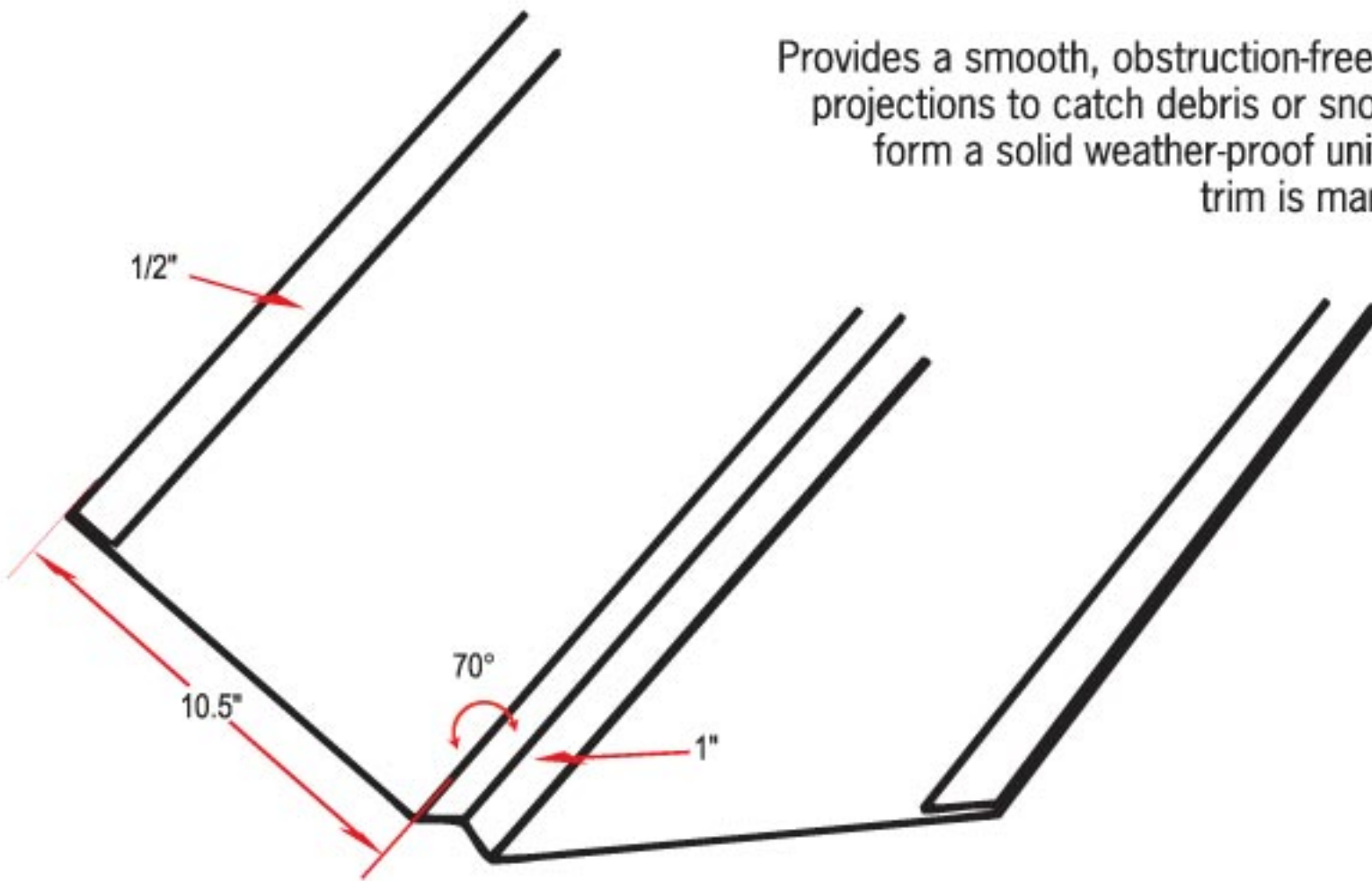
To protect walls, skylights, and masonry from all types of weather. Manufactured in 10' lengths.

End Wall Trim

Provides a weather-tight seal around chimneys, end walls, skylights, etc. Manufactured in 10' lengths.

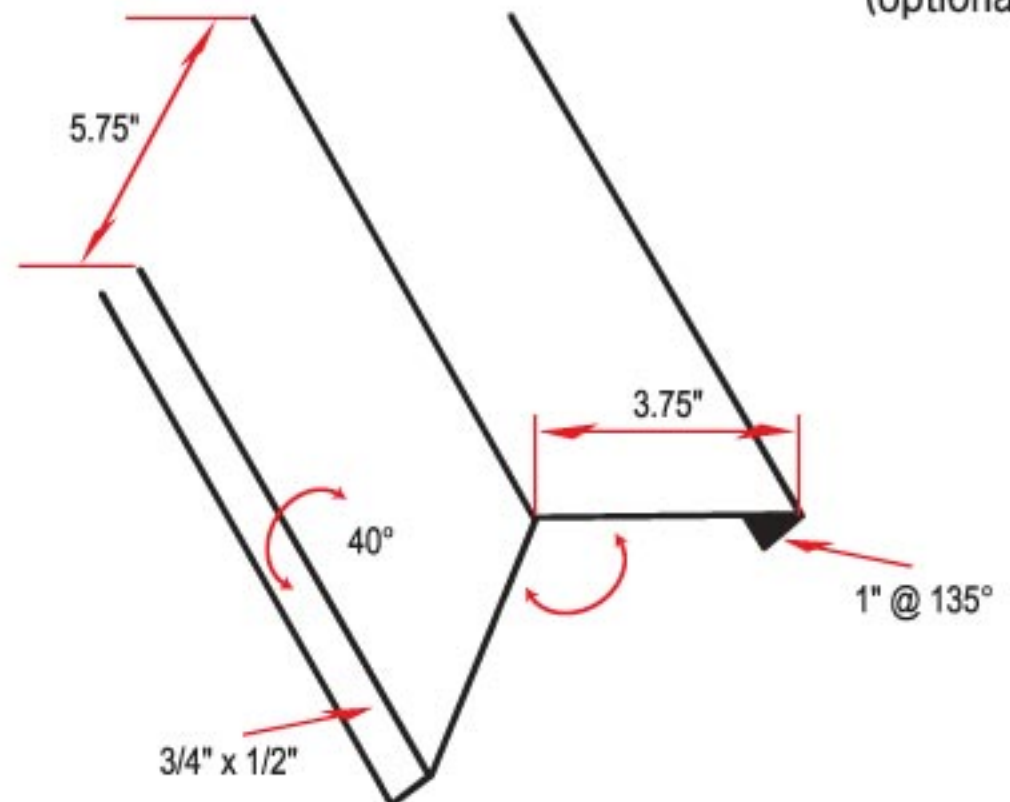
Valley Trim

Provides a smooth, obstruction-free path for precipitation- no projections to catch debris or snow. Panels are installed to form a solid weather-proof unit. This specially designed trim is manufactured in 10' lengths.



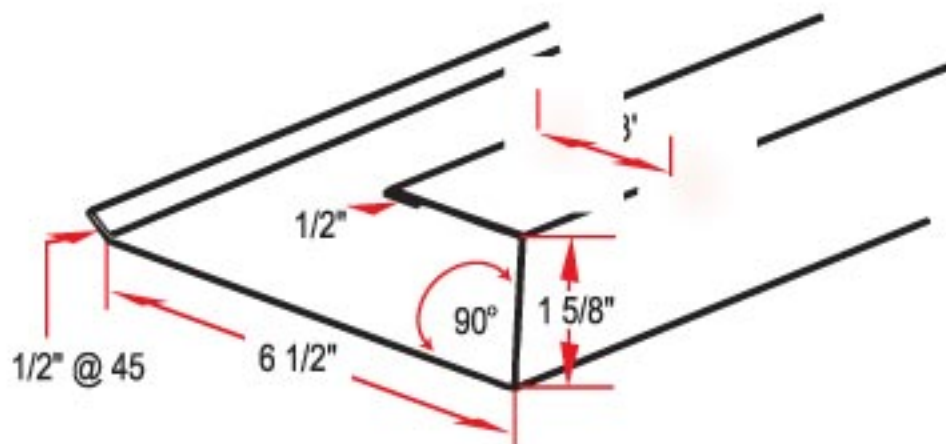
Outer Gable

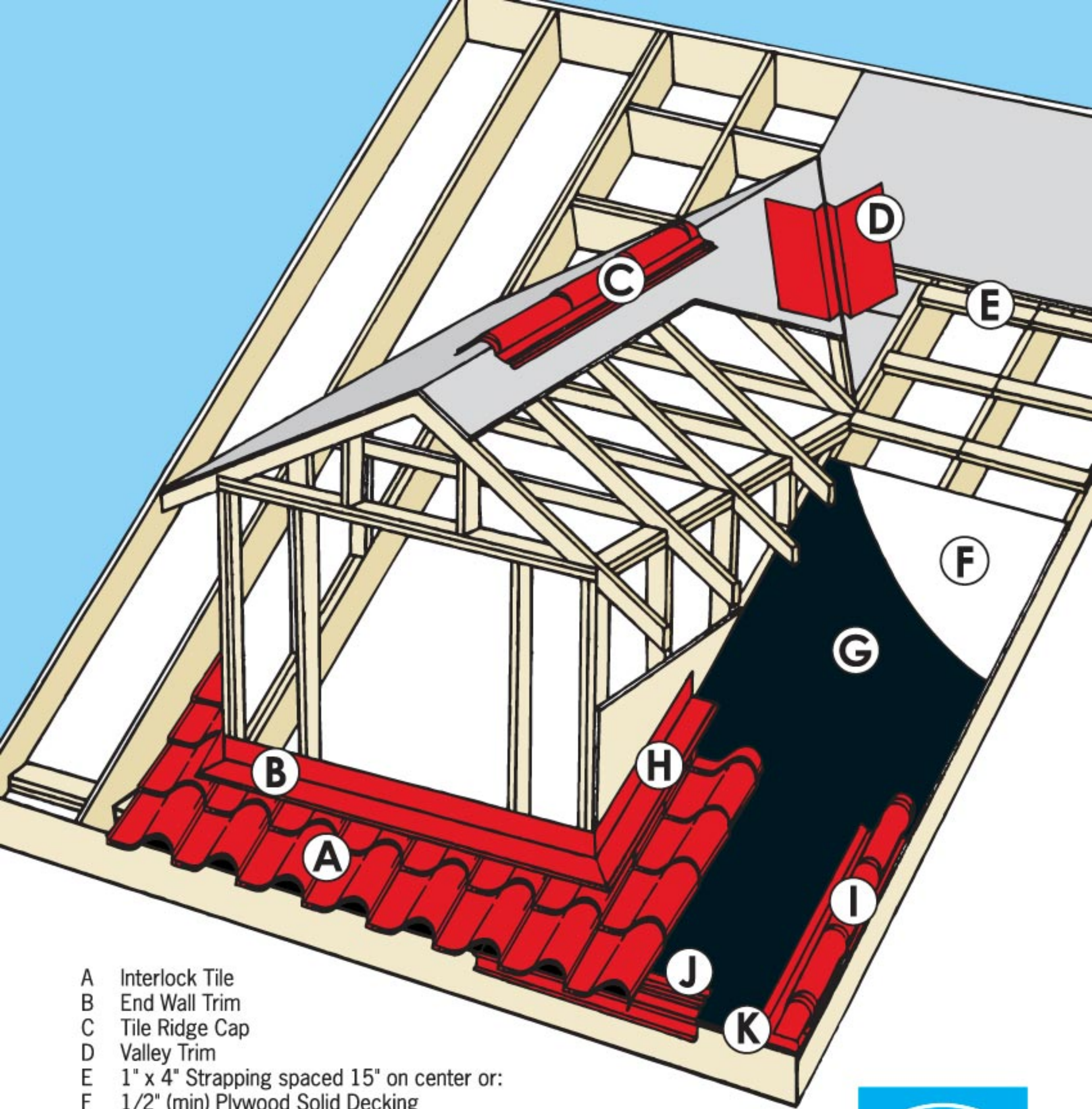
Applied over top of inner gables to form a protective cap, secured by special screws with neoprene washers. (optional)



Inner Gable

Technically designed to provide a secure base for outer gable, and extra weather protection for roof components





- A Interlock Tile
- B End Wall Trim
- C Tile Ridge Cap
- D Valley Trim
- E 1" x 4" Strapping spaced 15" on center or:
- F 1/2" (min) Plywood Solid Decking
- G Polypropylene Underlayment
- H Side Wall Flashing
- I Tile Gable Cap
- J Starter Flashing
- K Inner Gable Starter



6 TILE COMPONENTS



Color Guide

Interlock® Roofing Ltd. offers a highly durable aluminum roofing product available in a range of different colors, opening up an extensive palette for homeowners and designers. Interlock® roofs are exclusively protected for a lifetime by Alunar® embedded with Dupont™ Teflon® for ultimate durability and protection.



Aged Copper



Weathered Grey



Solid Copper



Charcoal Grey



Dark Green



Tile Red



Tudor Brown



Actual product color may differ to that represented on manual.
Product design and installation techniques may vary from manual.